



Simple Installation

High Performance

Maintenance Free

Ultra Reliable

Type 3R Rainproof



Introducing the new PS1, a revolution for grid-tie solar with battery backup. Designed with an emphasis on performance, ease of installation, and low maintenance we have eliminated all concerns about batteries in grid-tie systems.

If you are considering adding a grid-tied solar system to your home or business, incorporating battery backup is common sense. The PS1 system performs better than some battery-less inverters. In side-by-side, real world testing, the PS1 performed within 5% of the kilowatt hour performance achieved by the current industry leading inverter.

All fears about the complexity of grid-tie solar with battery backup are eliminated thanks to our "install ready" design. The PS1 system is a factory wired solution with a complete ETL listing. The type 3R rainproof construction ensures that there is plenty of flexibility in where you choose to install the PS1.

The PS1 system uses sealed AGM type batteries - eliminating the need for periodic watering. OutBack's advanced charge control algorithm and smart battery management techniques allow for battery life to exceed 10 years in most grid-tie back-up applications.

Introducing the new OutBack PS1, a revolution in grid-tie solar systems. Designed with an emphasis on performance, ease of installation, and low maintenance, the PS1 operates similarly to typical battery-less grid-tie solar systems but with the added benefit of being able to provide uninterrupted backup power during utility outages.

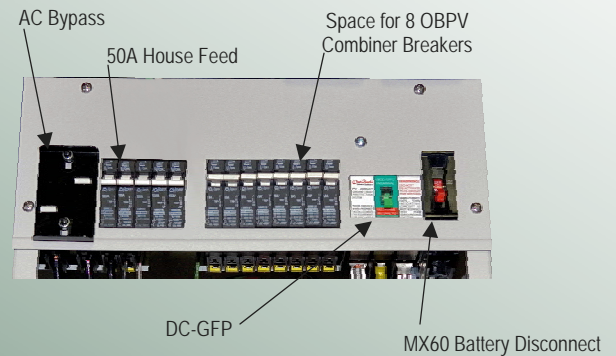
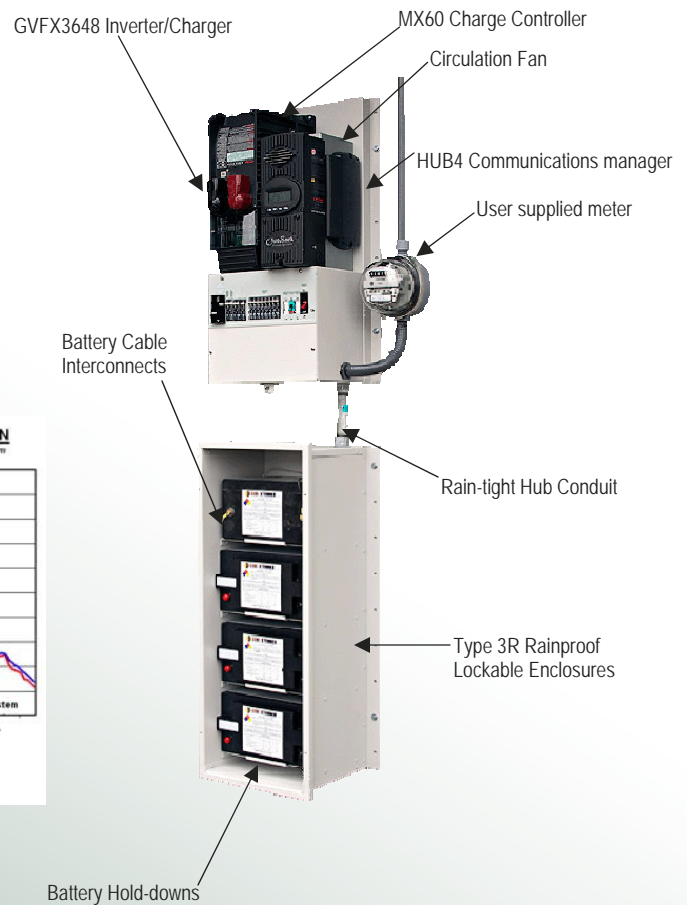
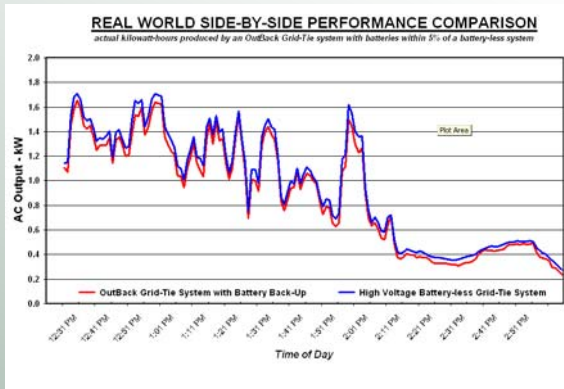
With over 7 million households losing power for more than an hour in 2004, utility outages are becoming a problem experienced more often. If you are considering adding a solar power system to your home or business, incorporating a back-up power system as well is common sense.

The PS1 system performs better than some battery-less grid-tie solar inverter systems. In side-by-side real world testing, the PS1 system's performance was within 5% of the industry leading battery-less grid-tie inverter system.

All fears about the complexity of including battery back-up into the design of grid-tie solar electric systems are eliminated thanks to the "install ready" design of the PS1 system. As a

factory wired, pre-programmed and fully ETL listed assembly, the PS1 system is a complete grid-tie battery back-up solution. Even the battery interconnecting cables and conduit is included to eliminate all guess work and difficult to find parts. The PS1 includes a type 3R rainproof enclosure which provides flexibility in where you choose to install the system, allowing for installation in limited space or outdoors.

Utilizing batteries as a back-up power source is much more reliable and economical compared to fuel-powered generators. Generators are mechanical devices which require regular maintenance and are subject to failing when you need them the most, during an outage. Batteries have no moving parts and the sealed AGM type batteries used in the PS1 systems require no watering or other periodic maintenance. The PS1 system operates silently and works automatically; there are no switches to throw, buttons to push or cords to connect up. Imagine sitting back and enjoying a movie during the next winter storm instead of huddling around a candle in the cold!



Specifications

AC Input Voltage	120 VAC 60Hz	Battery Voltage	48 VDC
Continuous Power Rating @ 25° C	3000 Watts AC	Energy Storage	4.0 kWhRS at 80% Depth of Discharge
Maximum Surge Current	Peak 70 Amps AC RMS 50 Amps AC	Typical Inverter Efficiency	92%
PV Array Voltage	Nominal 48, 60 or 72 VDC Max 140 VOC	Typical System Efficiency	90%
Maximum PV Array Wattage	3300 Watts STC Rating	PS1 System Enclosure HxWxD	31.3"x17.25"x12.9"
Listing	ETL Approval to UL1741 in Progress	PS1 Battery Enclosure HxWxD	36.25"x17.25"x12.55"
		Total Shipping Weight (Without Batteries)	120 lbs
		Enclosure Rating	Outdoor Rainproof, Type 3R, Wall Mount



Available From:

19009 62ND AVENUE NE
 ARLINGTON, WA 98223
 360.435.6030
 WWW.OUTBACKPOWER.COM